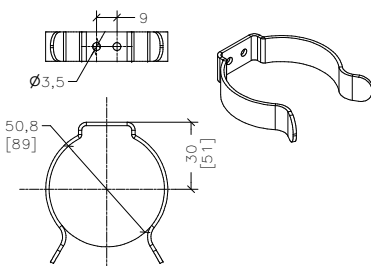


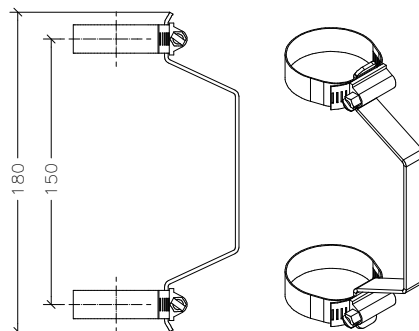
CLAMP CYLINDER SUPPORT

Clamp to support sampling cylinders
Material: Steel Nylon recovered



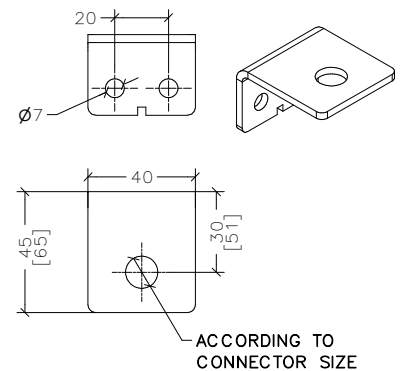
CARRYING HANDLE

Provides convenient carrying of sample cylinder.
Material: SS316L



QUICK CONNECTOR BRACKET

For Bulkhead body quick connector
Material: SS316L



Note: In brackets 1000cc cylinder components

ORDERING INFORMATION

AUXILIARY COMPONENTS FOR SAMPLE CYLINDERS

Accessories Kit

KT-ASC-300	Kit with three accessories for 300/500cc cylinder
KT-ASC-1000	Kit with three accessories for 1000cc cylinder