



DESCRIPTION

The Back Pressure Relief Valve is used to regulate upstream pressure in SWAS for analytical measurement sensors, maintain a constant inlet pressure before the analyzers which help stabilize the flow rate for each analyzer. When some analyzers are installed parallel for a same sample source, the back pressure relief valve can provide constant inlet pressure which allows all analyzers to be able to be shut off at all times without interrupting others.

APPLICATIONS

- Steam & Water Analysis Systems.
- Grab sampling systems.

SPECIFICATIONS

Wetted parts:	SS 316 and VITON
Mounting:	Surface
Regulated Pressure:	1.5 barg (21 psig).
Max. Temperature:	75 °C (167 °F)
Connections:	1/4" NPT(f)
Size:	78 mm. (3 1/16") diam. X 92 mm (3 5/8") h
Weight:	1 Kg. (2.2 lb)
Fluid:	Liquid

**Large area diaphragm design to keep constant pressure stable.*

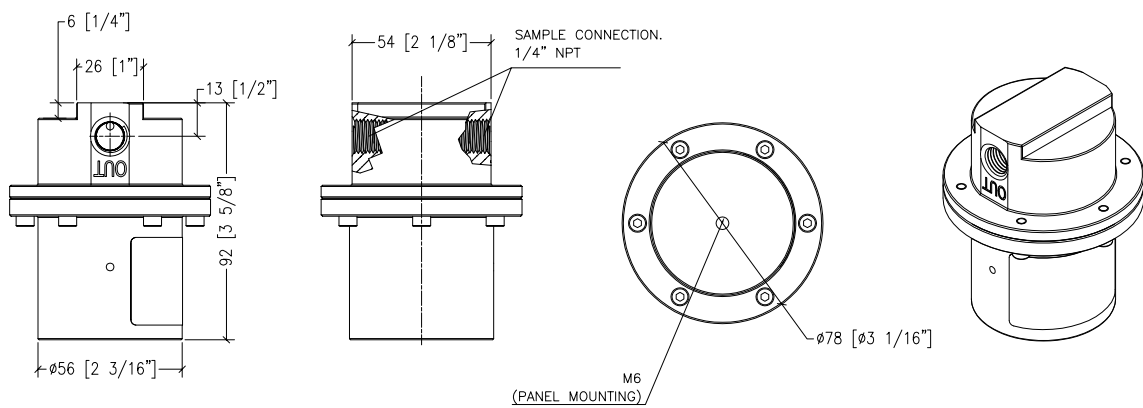
ORDERING INFORMATION

Model:	Name:
BPR	Back pressure relief valve @1.5 barg

SPARE PARTS

Part #	Name
BPR-DPH	Diaphragm
BPR-R20	Spring @20 psig

DIMENSIONS



Units: mm [Inches in brackets]

Due to continuous improvements, Manvia reserves the right to change the design and specifications without notice