



DESCRIPTION

Special enclosure to avoid splatters and spillover during sample collections.

This equipment has a window to control visually the filling of the bottle.

It has a support grid for the bottle. In case of spillage, the liquid goes to the bottom and is drained through a 1/2" threaded connection.

The grid can be removed for cleaning and access to the bottom to remove waste.

Available for bottles up to 1,000 c.c. Bottle type SCHOTT DURAN. (Others capacities, please consult).

Materials:

- Enclosure: SS304L. (Other under requirement)
- Window: Polycarbonate.

Can be manufactured with tubing to fill or needle system integrate (NGL type).



BSE-0 (TUBING)



BSE-NGL (NEEDLE SYSTEM)



FEATURES

- Safety for the operator
- Avoid splatters. In case of spillover is drive through the bottom connection.
- No emissions
- Environmental care
- Easy handling and cleaning

SPECIFICATIONS

Materials:	SS316L
Sample in:	1/4" NPT (Other under requirement)
Drain:	1/2" NPT (Other under requirement)

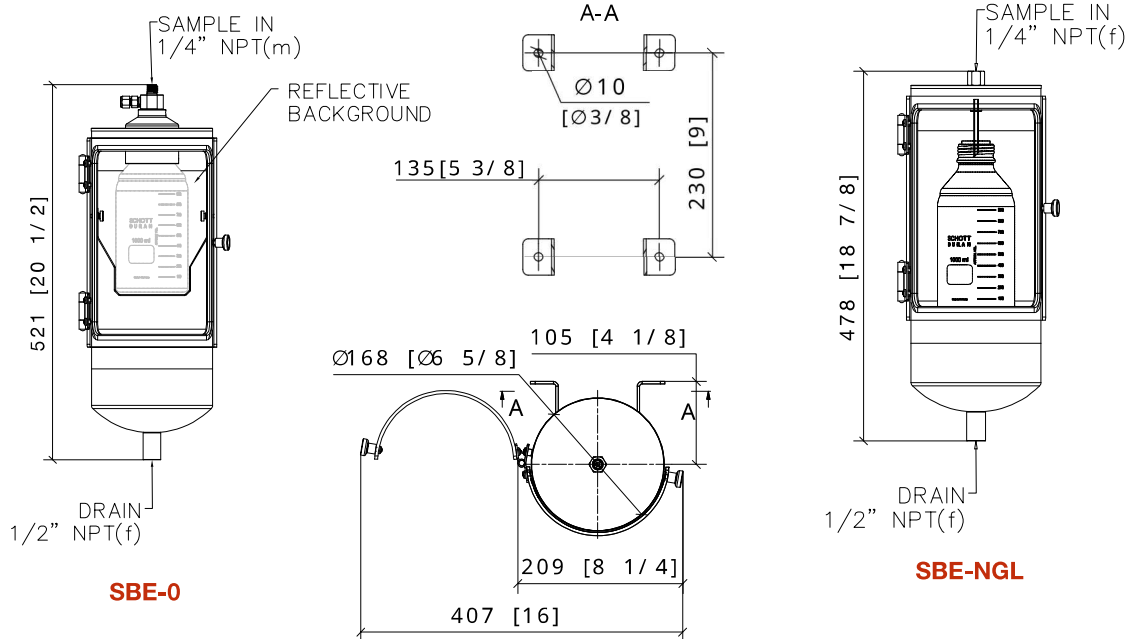
ORDERING INFORMATION

SBE-		-	<input type="checkbox"/>
Type			
0	Tubing		
NGL	NGL Needle system		

Note:

Process and drain connections different from standard and bottle capacity, to be defined by client.

DRAWINGS



Units: mm [Inches in brackets]

Due to continuous improvements, Manvia reserves the right to change the design and specifications without notice