



DESCRIPTION

The Manvia sample conditioning compact panel is designed to condition any type of steam-water sample.

This compact pre-tubed assembly allows analyzing the sample under optimal conditions. It only requires connection of the sample, drain and cooling water supply.

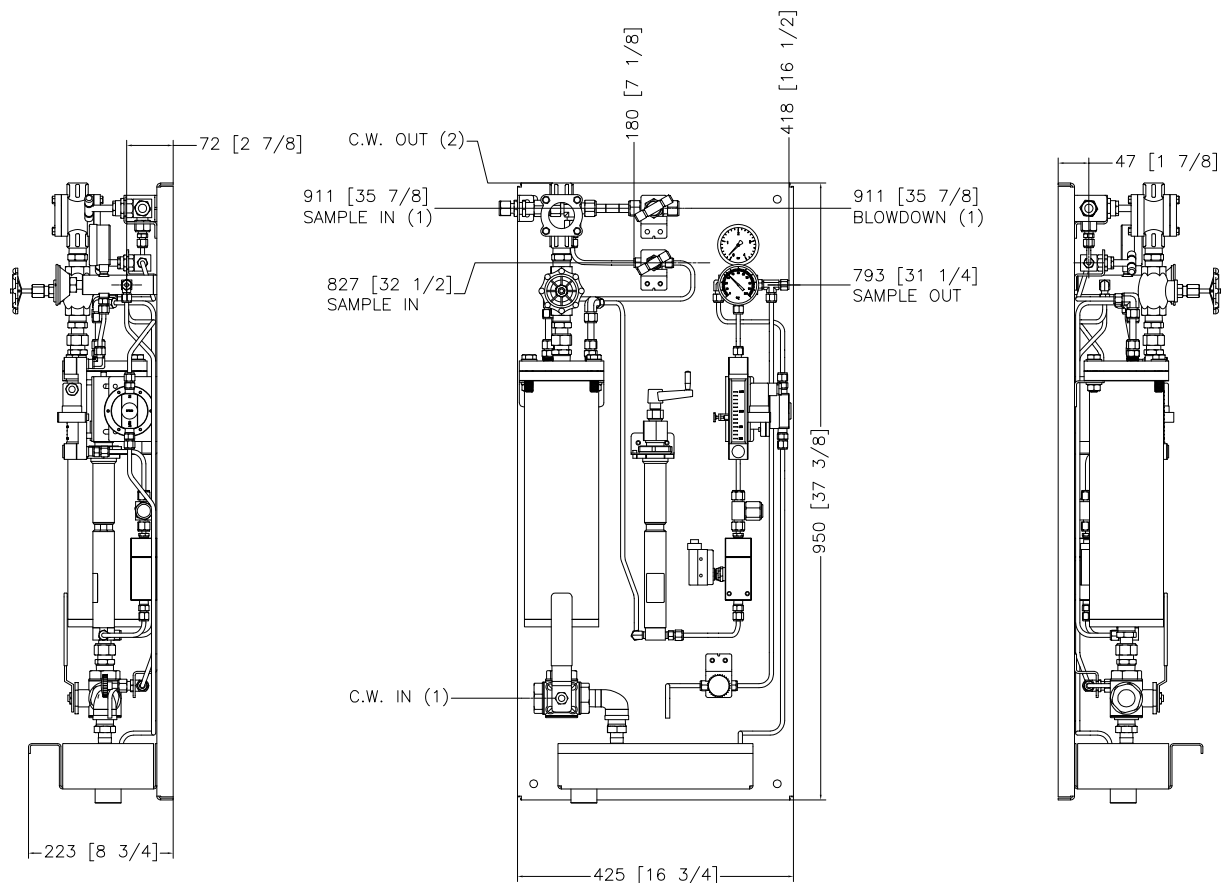
FEATURES

- Built according ASME PTC-19.11
- Wetted parts: 316 stainless steel
- Pressure and temperature ratings 240 barg @ 540 °C (3480,9 psi(g) @ 1004°F). (higher on request)
- Sample flow up to 100 L/h (21,9 gal/h). (higher on request).
- Constant flow and pressure assured in analyzers, through back pressure and pressure regulating valve tandem.
- Portable.
- Expandable: Customizable with incorporation of specific conductivity, cation conductivity, pH and dissolved oxygen analyzers in one panel.

CONFIGURABLE

Sample input shut-off valve 1/4" OD	Sample low flow alarm with SPDT contact
Sample Blowdown valve	Thermal shut-off valve TVS
Hot pipe protective insulation	Integrated manual sampling point
Sample cooler SC	Sample outlet to analyzers 1/4" OD
Sample cooler valves	Filter at sample outlet to analyzers
Pressure regulating valve (PCV or HPRV)	Back pressure valve
Pressure gauge	Sample drain sink
Temperature gauge	Mounting panel 304 stainless steel
Sample flow meter	Sight flow in cooling water

DIMENSIONS



(1) In compact Panel with blowdown option

(2) Please consult cooling water connections position with cooler selected

Units: mm [Inches in brackets]

Due to continuous improvements, Manvia reserves the right to change the design and specifications without notice

ORDERING INFORMATION

COMPACT PANEL

CP

- - - - - - - - - -

Sample Shut -Off valve

- 1 Needle valve 1/4" OD AISI 316 +PTFE 232°C@343barg
- 2 Needle valve 1/4" OD AISI316 + Grafoil 565°C (High temp)

Sample Blowdown Valve

- A Not Included
- B.1 Needle valve 1/2" OD AISI316 + PTFE 232°C@343 barg
- B.2 Needle valve 1/2" OD AISI316 + Grafoil 565°C (High temp)

Pressure Reducer

- 3 Not Included (sample below 5 barg)
- 4 Up to 35 barg (PCV1 and BPR Back Pressure)
- 5 From 35 to 200 barg (HPRV Rod-in-tube valve and BPR Back Pressure)

Sample Cooler

- C Not Included
- D SC-2 (Cooling area 0,22 m² / Sample 245 barg@540°C)
- E SC-3 (Cooling area 0,35 m² / Sample 215 barg@540°C)
- F SC-4 (Cooling area 0,45 m² / Sample 215 barg@540°C)

Cooling Water Components

- 6 Not Included
- 7 Isolation and control valves (3-way in input and globe valve in output)
- 8 Relief valve
- 9 Sight Flow

Thermal Shut-Off Valve (TVS)

- G Not Included
- H Included @ 49°C (w/o switch)
- J Included @ 49°C (with switch)

Instrumentation

- K Not Included
- L Pressure gauge (0-4 barg)
- M Temperature gauge (0-120 °C)
- N Total Flow Sample Indicator
- P Total Flow Sample Indicator with Low Flow Sample Switch SPDT

Others Components

- R Filter to analyzers 100µ
- S Grab Sample valve
- T Sink