

MULTI-STREAMS ANALYZER SEQUENCERS



DESCRIPTION

The multi-sample sequencer system, designed by Manvia, allows measuring up to 8 samples in two different analyzers. It can operate with continuous measurement or batch mode analyzers.

It offers the whole system integrated in a single equipment, reducing the electrical interconnection, and the tubing work by 75%.

Its configuration variables allows adapting to the actual samples needed (from 2 to 8).

FEATURES

- Compact equipment. It occupies minimal space.
- Compact wall mount design.
- Manifold block with common drainage (avoid installed drainage tubing from each sample).
- Flow indication.
- Avoid installing tube from rotamer to manifold block
- Continuous sample flow in all lines
- Block manifold with minimum capacity
- No delays in measurement
- No dead legs
- CE Marking
- No contamination samples

MULTI-STREAMS ANALYZER SEQUENCERS

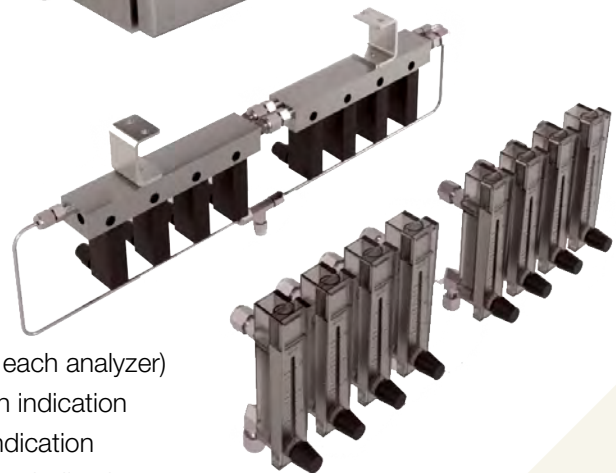
APLICACIONES

- Analyzer systems

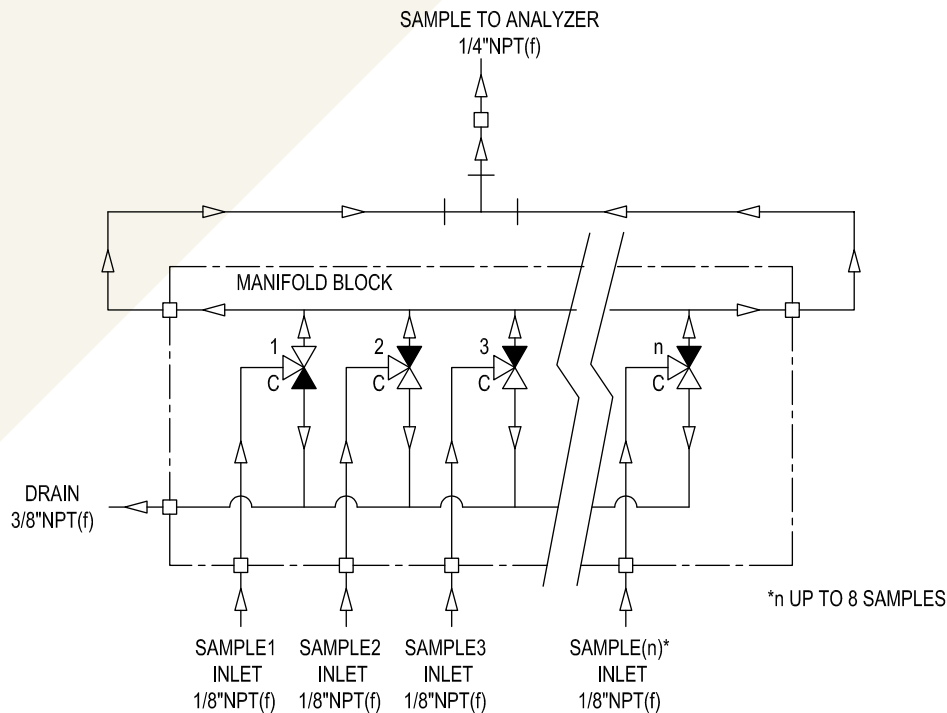


SPECIFICATIONS CONTROLLER SAMPLE SEQUENCER

- Number of streams 8 Maximum
- Number of analyzers 2 Maximum
- Inputs from Analyzers: Two 4-20 mA analog input (One each analyzer)
Two digital input for end-of-batch indication
Two digital input for calibration indication
Two digital input for analyzer alarm indication
- Analog Outputs For each individual stream 4-20 mA (Adaptable to the range)
- Relay contacts Four dry contacts (SPST), assignable to various alarms
- Operator Interface 4,3" color touchscreen interface
- Input Power: 110-120/220-240 VAC, 50/60 Hz.
- Power Consumption: 50 W
- Box: Stainless steel
- Enclosure Rating: IP 65 / NEMA 4X
- Dimensions (HxWxD): SQ-2: 200 x 300 x 155 mm
SQ-4: 300 x 300 x 210 mm
SQ-8: 300 x 300 x 210 mm
- Weight SQ-2: 6 Kgs.
SQ-4: 9 Kgs.
SQ-8: 9 Kgs.



MULTI-STREAMS ANALYZER SEQUENCERS



SPECIFICATIONS SWITCHING SAMPLES MANIFOLD

- Max. streams: 8
- Sample Flow: 20 - 300 ml /min.(standard rotameter) /other consult
- Sample Connection: 1/4" OD inlet for each sample
Output to Analyzer: 1/4"NPT(F)
Drain (common): 3/8"NPT(F).
- Power solenoid valve: 24 VDC
- Max Pressure/Temp Rating: 5 bar (g) / 55 °
- Internal dead volumes 33 µl
- Power consumption 3.4 W
- IP IP 54
- Service life 10.000.000 (according to laboratory endurance test with FKM and EPDM)
- Block manifold: AISI316
- Dimensions (HxWxD) mm MF-2 A 124 x 165 x 32 /MF-2B 142 x 165 x 118
MF-4 A 124 x 260 x 32 /MF-4B 142 x 260 x 118
MF-8 A 124 x 464 x 32 /MF-8B 142 x 464 x118
- Weight MF-2 A 1.4Kg. /MF-2B 1.8 Kg
MF-4 A 2,7Kg. /MF-4B 3.4 Kg
MF-8 A 4,2Kg. /MF-8B 5.5 Kg

MULTI-STREAMS ANALYZER SEQUENCERS

ORDERING INFORMATION

CONTROLLER SAMPLE SEQUENCER	SQ-	--	--
Number of input to sequencer / output samples to analyzer. 2.- 2 samples input to sequencer / 1 sample output to analyzer. 4.- 4 samples input (max.) to sequencer / 2 sample output (max.) to analyzer. 8.- 8 samples input (max.) to sequencer / 2 sample output (max.) to analyzer.			
Block Configuration A.- Controller sample sequencer separate of Switching sample manifold. B.- Both integrated in a single block.			
SWITCHING SAMPLES MANIFOLD	MF-	--	--
Number of input to sequencer / output samples to analyzer. 2.- 2 samples input to manifold / 1 sample output to analyzer. 3.- 3 samples input (max.) to manifold / 1 sample output to analyzer. 4.- 4 samples input (max.) to manifold / 1 sample output to analyzer.			
Rotameters A.- Without rotameters in samples input. B.- With Rotameters in samples input.			

NOTES:

For more than 4 samples, combinations, two manifolds must be used:

- 5 samples: MF-3A + MF-2A or MF-3B + MF-2B (with rotameter incorporate)
- 6 samples: MF-3A + MF-3A or MF-3B + MF-3B (with rotameter incorporate)
- 7 samples: MF-4A + MF-3A or MF-4B + MF-3B (with rotameter incorporate)
- 8 samples: MF-4A + MF-4A or MF-4B + MF-4B (with rotameter incorporate)

To sequence samples into two analyzers, separate manifolds must be used:

For example:

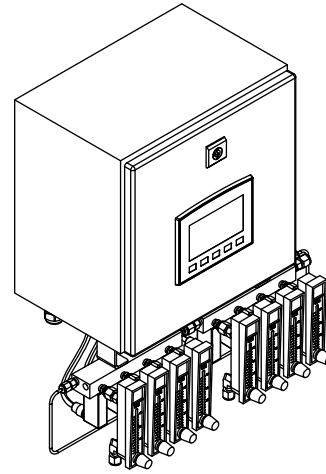
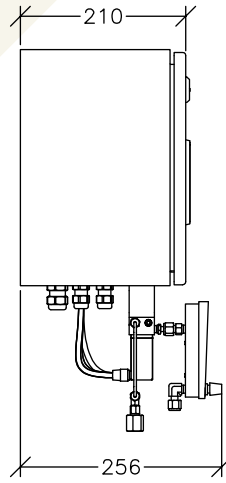
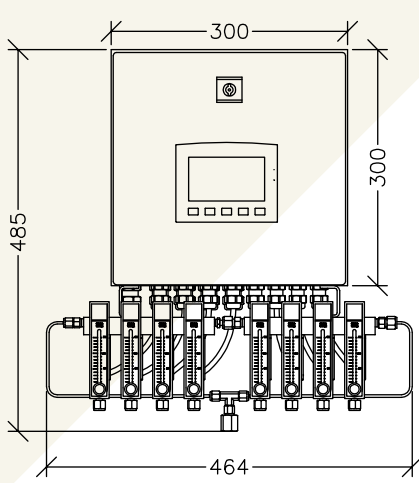
- 3 samples to silica analyzer. 4 samples to sodium analyzer:
- 1 Manifold MF-3A or MF-3B (with rotameter incorporate)
- 1 Manifold MF-4A or MF-4B (with rotameter incorporate)
- 1 SQ-8 Controller sample sequencer.

SPARE PARTS

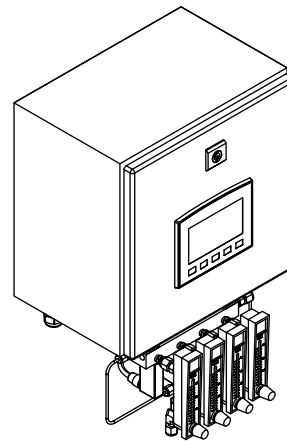
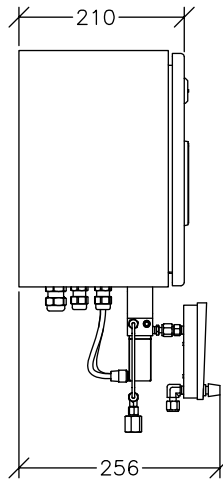
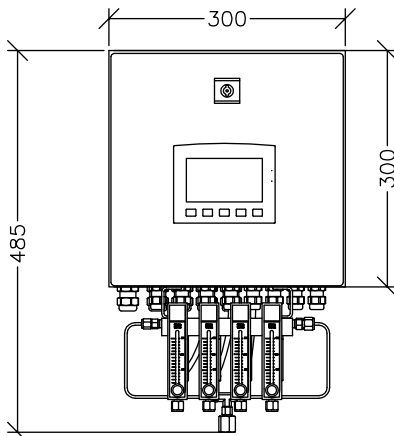
Part #	Name
SV-MF-01	Solenoid manifold valve
FI-01	Rotameter w/regulation valve 20-300 ml/min

MULTI-STREAMS ANALYZER SEQUENCERS

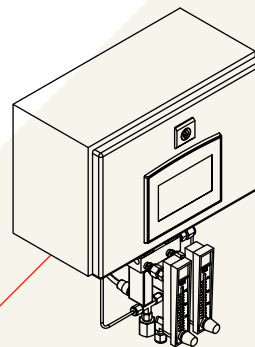
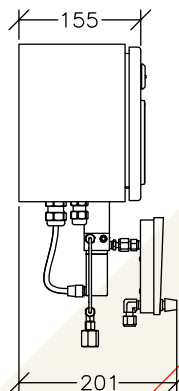
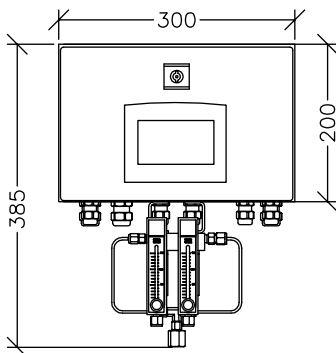
DRAWINGS



8 SAMPLES



4 SAMPLES



2 SAMPLES