



Thermometer not included

DESCRIPTION

TE with thermowell incorporate to install thermometers in line. Specially designed for in-line installation of thermometers in analyzers conditioning systems and sampling systems quickly and easily.

TMW Consists in a thermowell welded to a branch tee, with compression fitting connection in the aligned ports . The thermometer is fixed by lateral prisoner that allows it to be rotated 360° to orient it to the appropriate position, ensuring contact with the bottom of the thermowell.

FEATURES

- Low cost.
- Low time installation.
- Save space.
- Minimizes connections => Reduces risk of leaks.
- Without threaded connections.
- Ensures contact between the bottom thermowell and the thermometer for correct temperature transmission.
- No additional components are required to install the thermometer.
- It is not necessary supports, the TE is installed online.
- Allows the orientation of the thermometer in any position.
- Adaptable to any manufacturer of fittings (Swagelok, Parker, Fitok, ...)
- Valid for any manufacturer of thermometers.

SPECIFICATIONS

Material:	SS316L
Pressure rating:	250 bar(g)
Thermometer requirement (not included)	
Stem diameter:	6mm
Inmersion length:	45mm (recommended) or higher

ORDERING INFORMATION

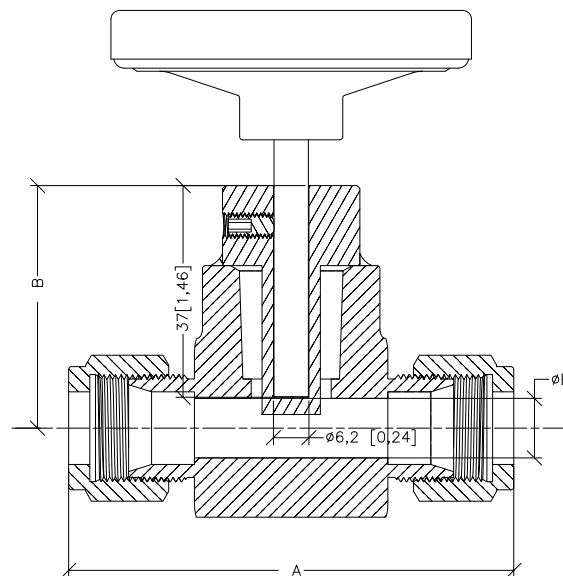
IN LINE THERMOWELL

STMW

OD Connections

8	1/2" OD
12M	12mm OD
12	3/4" OD

DRAWINGS



Reference:	A*	B*	E*
STMW-8	77,8 [3,06]	42,4 [1,67]	10,4 [0,41]
STMW-12M	77,8 [3,06]	42,4 [1,67]	10,4 [0,41]
STMW-12	89,4 [3,52]	45,8[1,8]	15,7 [0,62]

*Tee manufacturer will modify dimmensions

Units: mm [Inches in brackets]

Due to continuous improvements, Manvia reserves the right to change the design and specif cations without notice

*Tee manufacturer will modify dimmensions